



## MS1633 FocusBT™

**FocusBT™ is the hand-held area imager that surpasses all wireless 2D scanners by combining Bluetooth® connectivity with aggressive FirstFlash™ scan performance.**

Perfect for solving retail and supply-chain management applications, this omnidirectional scanner combines the freedom of Bluetooth V1.2 mobility with many qualities already found in the popular Focus MS1690. FocusBT is also great for healthcare data-capture applications.

Regardless of orientation, FocusBT's FirstFlash technology decodes all standard bar codes in a single flash, including 1D, 2D, RSS, PDF417, microPDF, EAN/UCC Composite, Matrix and Postal Codes.

FocusBT features Metrologic's patented CodeGate® and RangeGate® technology.

CodeGate technology zeros in on the required code and then completes data transmission with the push of a button.

With RangeGate, FocusBT scans and stores hundreds of bar codes when outside host system communication range. When the connection is re-established, the stored scans are automatically downloaded to the host.

For image-capture applications, FocusBT combines a high-resolution CMOS sensor with a powerful processor which enables a wide array of outputs.

In addition to automatic infrared object detection, FocusBT comes equipped with several power-save modes, a USB Bluetooth adaptor and two rechargeable lithium-ion batteries. Each battery provides 12 hours of scanning or approximately 9,000 scans per charge.

[www.metrologic.com/MS1633](http://www.metrologic.com/MS1633)

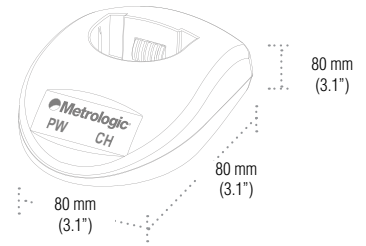
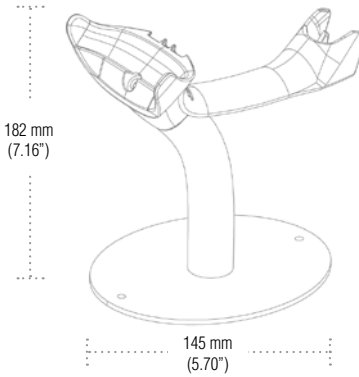
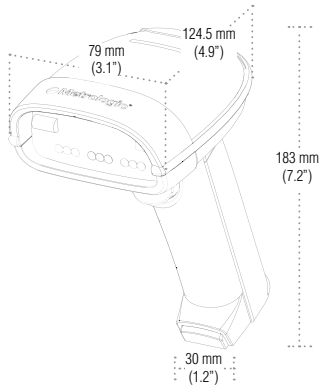


### Features

- FirstFlash
- Omnidirectional scanning
- Removable Li-ion battery pack
- USB Bluetooth adaptor
- PowerSave modes/Power switch

### Benefits

- Increases productivity-scans nearly every standard bar code on first LED flash
- Eliminates need to orientate hand-held area imager to bar code
- Easily remove and replace battery packs without using tools-remote charging for 24/7 scanning
- Cable-free adaptor simultaneously enables Bluetooth compatibility for host system and up to 7 other Bluetooth devices
- Both conserve battery life and extend uptime



## OPERATIONAL

|                   |   |
|-------------------|---|
| Light Source      | LED 645 nm + 7.5 nm   |
| Decode Capability | Autodiscriminates all standard 1-D, RSS, PDF417, microPDF, MaxiCode, Data Matrix, QR Code, UCC, EAN Composites, Postals, Aztec                        |
| System Interfaces | Bluetooth v1.2  |
| Beeper Operation  | 7 tones or no beep  |
| Indicators (LED)  | Blue Steady = unit powered, ready to scan, Bluetooth connected; White = good read; Yellow Steady = in stand<br>Battery Indicator: Blue = unit powered |

## MECHANICAL

|        |  |
|--------|--|
| Height | 183 mm (7.2")                            |
| Depth  | 124.5 mm (4.9")                          |
| Width  | Handle: 30 mm (1.2"); Head: 79 mm (3.1") |
| Weight | 290 g (10.23 oz)                         |

## ELECTRICAL

|                  |  |
|------------------|--|
| Input Voltage    | 5 VDC < 1A   |
| Recharge Time    | 6 hours  |
| Battery Capacity | 9,000 scans (average)  |
| DC Transformers  | Scanner: none; Base: Class 2; 5 VDC < 1A   |
| Laser Class 1    | Class 1; IEC60825-1:1993/A1:1997+A2:2001<br>Class 1; EN60825-1:1994/A11:1996+A2:2001 |
| EMC              | FCC Class A, IEC60825-1 LED Safety   |

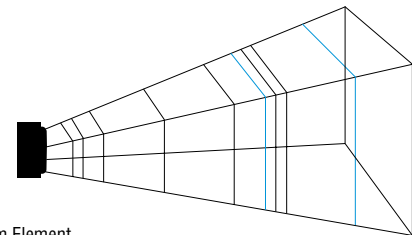
## ENVIRONMENTAL

|                       |   |
|-----------------------|---|
| Operating Temperature | 0°C to 40°C (32°F to 104°F)                 |
| Storage Temperature   | -20°C to 50°C (-4°F to 120°F)               |
| Humidity              | 0% to 95% relative humidity, non-condensing |
| Light Levels          | Up to 190,000 Lux (17,670 footcandles)      |
| Shock                 | Designed to withstand 1.5 m (5') drops      |

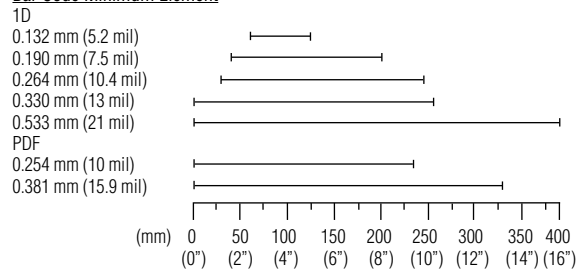
## SCAN PERFORMANCE

|                                    |   |
|------------------------------------|---|
| Depth of Scan Field (programmable) | 0 mm - 254 mm (0" - 10") for 0.33 mm (13 mil)   |
| Width of Scan Field                | 49 mm W x 19 mm H (1.9" W x 0.8" H) @ 20 mm (0.8"); 264 mm W x 106 mm H (10.4" W x 4.2" H) @ 280 mm (11") |
| Scan Speed                         | 1120 scan lines per second  |
| Minimum element width              | 1D: 0.127 mm (5 mil); 2D: 0.254 mm (10 mil)   |
| Resolution                         | 1280 x 512  |
| Print Contrast                     | 20% minimum reflectance difference  |
| Pitch, Skew                        | 75°, 75°  |

## Scan Area



### Bar Code Minimum Element



### Product Colors Available



MS1633 is available in a variety of other colors with minimum quantity purchase.



Metrologic Instruments, Inc. | Worldwide Headquarters  
90 Coles Road | Blackwood, NJ 08012-4683 | info@metrologic.com  
Telephone 856-228-8100 | Fax 856-228-6673 | www.metrologic.com

ISO 9001:2000

|  |  |   |
|--|--|---|
| <b>Asian Headquarters</b><br>Tel. 65.6842.7155<br>info@sg.metrologic.com | <b>European Headquarters</b><br>Tel. 49.89.89019.0<br>info@eu.metrologic.com | <b>The Americas Headquarters</b><br>Tel. 1.800.ID.METRO<br>info@us.metrologic.com |
|--|--|---|



Sunrise 2005 Compliant

Specifications subject to change without notice. Printed U.S.A., Copyright October 2007 Metrologic, all rights reserved.



MS1633